

# Audio Accessory Box

XAAB002A

## Features

- **Interchangeable Dispatch Microphones**
- **Compact Size**
- **Streamlined Microphone Connections**
- **Telephone Interface**
- **Reversible Mounting Bracket**
- **Ideal For Deskset or Direct Radio Usage**



## Applications

- Police, Fire, Ambulance
- Utilities, Taxis, Airlines
- Forestry, Parks and Recreation
- Industries, Municipalities, Construction
- Security and Public Safety
- Any Mobile Application

The **XAAB002A Audio Accessory Box** allows GAI-Tronics desksets to connect to hands-free accessories such as headsets, desk microphones, gooseneck microphones, and footswitches. Industry-standard plug-in connections for each accessory result in effortless changing of microphones. The Audio Accessory Box is a true "plug-and-play" device, offering greater flexibility than any other product on the market.

The Audio Accessory Box interfaces to all GAI-Tronics desksets. Deskset Push-to-Talk (PTT) and Monitor can be initiated from the paddle on the desk microphone or footswitch. Radio interconnect ports also allow the Audio Accessory Box to connect directly to virtually any type of radio. Dispatchers can also communicate over both a telephone and a GAI-Tronics deskset with a

single headset. The mute switch can momentarily mute radio receive audio to the headset, allowing the dispatcher to listen to telephone traffic. The unit fits easily into most set-up configurations and uses little space. The top cover of the Audio Accessory Box can double as a bracket for mounting the unit under a desktop or console, putting it completely out of sight.

Unlike the competition, which ties the user to one style of microphone, the Audio Accessory Box provides the flexibility to constantly change microphones as dispatchers change shifts and preferences. In addition to having a live hands-free microphone, the headset is still available for private conversations or periods of high ambient noise.

## Specifications for XAAB002A

Color ..... Black  
 Physical Size ..... 1.55 H x 6.40 W x 4.25 D inches  
 Shipping Weight ..... 3 lbs.  
 Power Input ..... 9.0 to 16.0 V dc, 100 mA, maximum  
 Receive audio input ..... 100 mV ac nominal  
 Transmit audio output ..... 80 mV ac nominal into 600 ohms

### Environment:

Ambient Temperature, Operating ..... 0°C to 60°C  
 Ambient Temperature, Storage ..... -40°C to 100°C  
 Ambient Humidity, Non-condensing ..... 90%

### Microphone inputs with respect to 80 mV ac output:

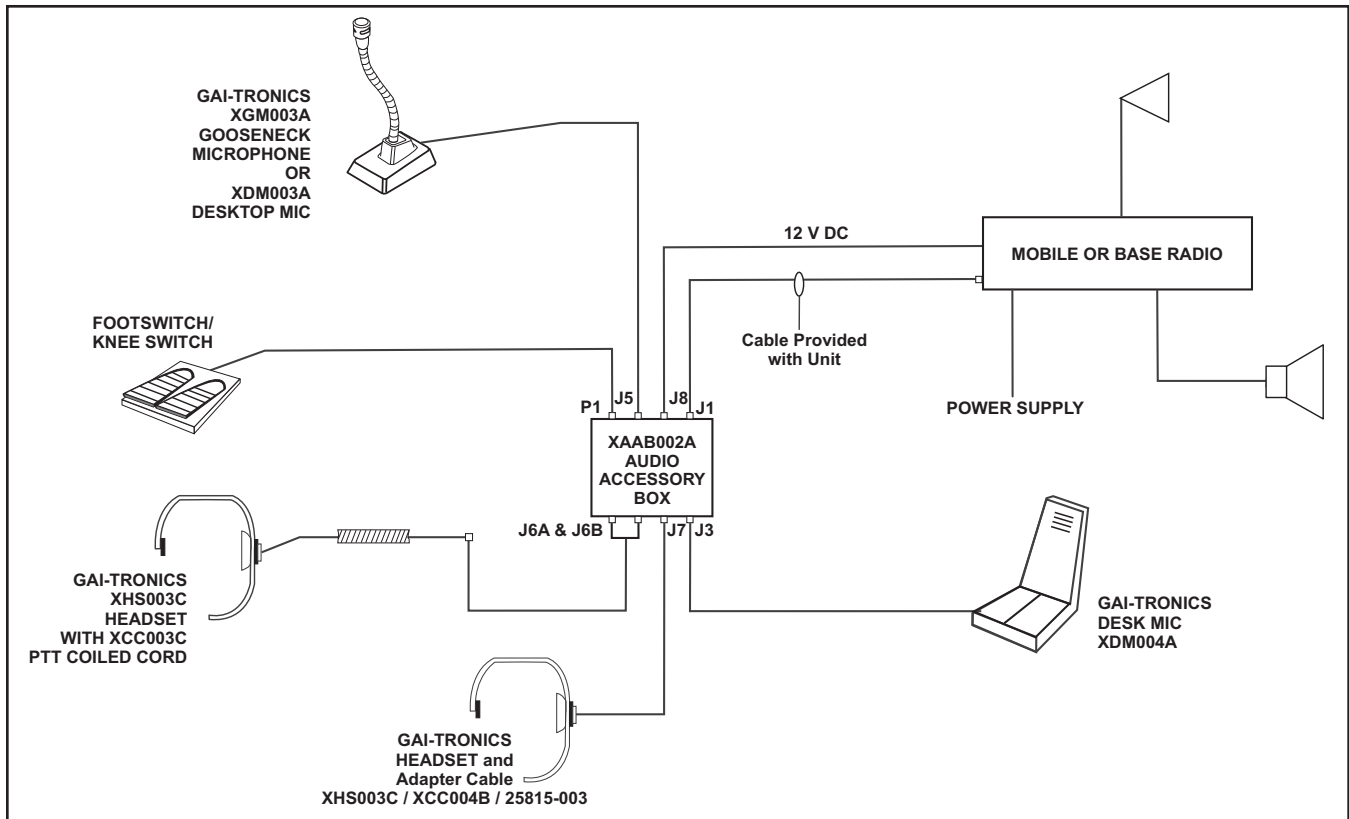
Desk Mic, selectable ..... 25 mV ac or 800 mV ac  
 lxx Handset, nominal ..... 25 mV ac

Gooseneck Mic, selectable ..... 200  $\mu$ V ac or 850  $\mu$ V ac  
 or 15 mV ac  
 Headset Mic, selectable. .... 25  $\mu$ V ac or 800 mV ac

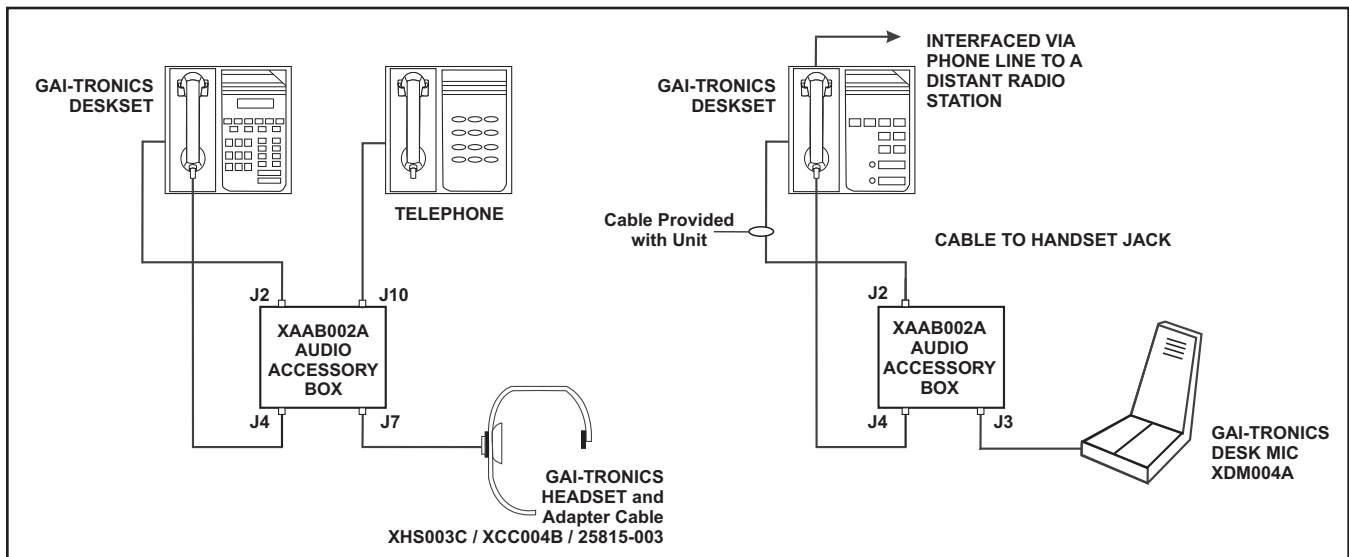
### Nominal microphone gain selections:

Desk Mic ..... +10 dB or -20 dB  
 Handset. .... +10 dB or unity  
 Gooseneck Mic ..... +51 dB or +40 dB or +15 dB  
 Headset Mic ..... +10 dB or -20 dB  
 Hum and Noise. .... greater than -45 dB below rated output  
 except high gain on boom mic  
 Logic Output Levels ..... 5 V CMOS compatible  
 Audio Distortion. .... less than 2% TH

## System Diagrams



Sample installation diagram when used directly with radio.



Sample installation diagram when used with desktop controllers

## Accessories and Options

XDM004A Desk Microphone with PTT and Monitor Control  
 XDM003A Heavy Duty Desk Microphone  
 XFS002A Footswitch with PTT and Monitor Control  
 XDM005A Desktop Gooseneck Microphone

XHS003C / XCC003C Headset with PTT coiled cord  
 XPS002A Replacement Power Supply  
 XHS003C / XCC004B / 25815-003:  
 Headset, Adapter Cable, and line cord (No PTT)

Call Customer Service (1-800-492-1212) For Application Assistance and Pricing. Specifications Subject To Change Without Notice.



Toll Free: 1 (800) 492-1212 Tel: (610) 777-1374  
 Fax: (610) 796-5954 www.gai-tronics.com

